



IMU 200

## IMU 200

Quadrupole mass spectrometer  
for UF<sub>6</sub> analysis



The *IMU 200* is a high performance solution for automatic determination of isotope ratios and impurities in uranium hexafluoride.

# IMU 200

## Technical data

### Mass range

1 - 512 amu

### Detector

90° off axis SEM

### Special ion source

molecular beam inlet

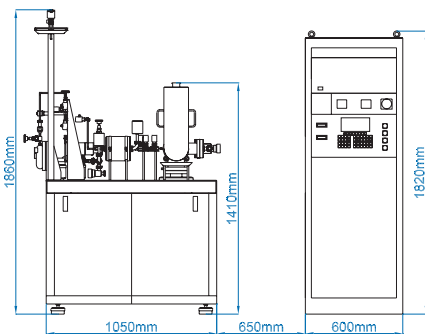
liquid nitrogen trap

### Weight

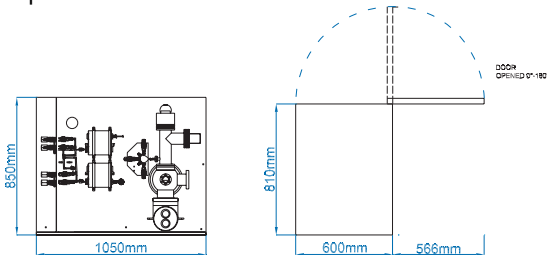
approx. 400 kg

### Dimensions (mm)

#### front view



#### top view



## Automated computer controlled quadrupole mass spectrometer for isotope ratio and impurity analysis of uranium hexafluorid

- routine monitoring of enriched and depleted uranium for the production of nuclear fuel
- determination of isotope ratios of UF<sub>6</sub> in Feed, Product and Tail, also for minor isotopes
- continuous online analysis of isotope ratios in an UF<sub>6</sub> process stream and manual sample measurement in batch mode
- automated measuring cycles incl. calibration against certified standards
- small sample consumption and high uptime
- LN<sub>2</sub> cooling of the ion source for best analytical results
- LN<sub>2</sub> sample trapping for secure operation
- automatic vacuum control and LN<sub>2</sub> monitoring system for the unattended operation with highest reliability
- user-specific configuration of the system (on request)



**IPI** InProcess  
Instruments

### InProcess Instruments

Gesellschaft für  
Prozessanalytik mbH

Otto-Lilienthal-Str. 16  
28199 Bremen  
Germany

Tel. +49 (0) 421 5259 3-0  
Fax. +49 (0) 421 5259 3-10  
mail@in-process.com  
www.in-process.com