

GAM 200

Technical Note #200-50e

GAM 200

*Quadrupole Mass Spectrometer
Vacuum Diagram and Basic Features*



GAM 200

Multicomponent
Online Gas Analyser
Multikomponenten
Online Gasanalysator

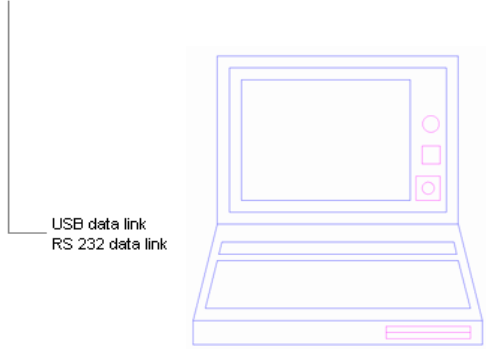
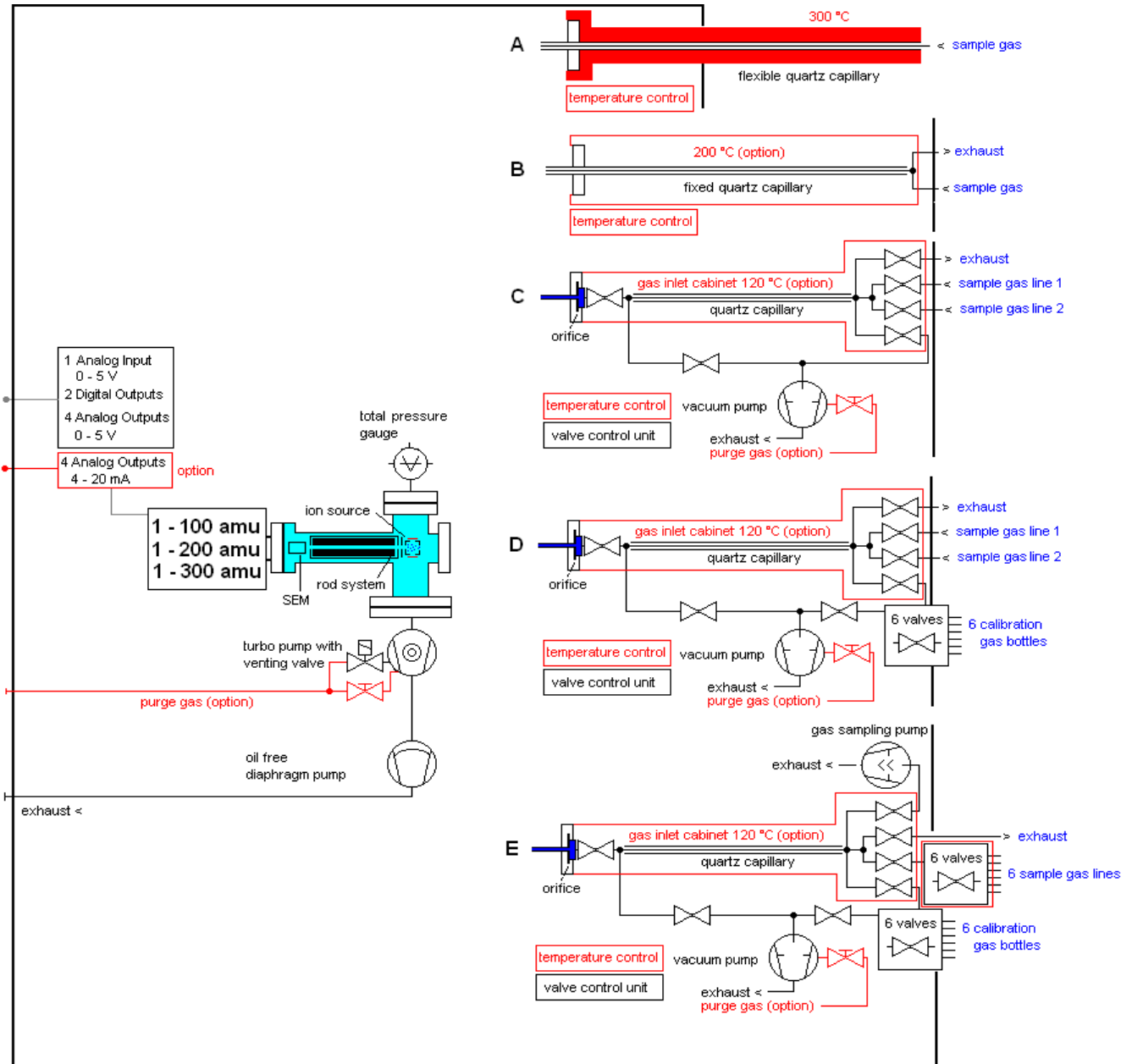
InProcess Instruments
Otto-Lilienthal-Str. 16
28199 Bremen
Germany
Tel. +49 (0) 421. 52 59 3-0
Fax. +49 (0) 421. 52 59 3-10
mail@in-process.com
www.in-process.com

IPI InProcess
Instruments

GAM 200

Vacuum Diagram

Basic Features



USB data link
RS 232 data link

InProcess QUADSTAR™
Software

EXAMPLES

- A** Coupling with furnaces
(Thermal Analyzer Systems)
- B** Element and trace analysis,
Reactive and corrosive gases
(Elemental Analyzers)
- C** Fast chemical reactor control,
Catalysis research
- D** Quantitative gas analysis,
Fuel cell application
- E** Fermentation control,
Air monitoring