

GIA 522

GIA 522

Gas Inclusion Analysis System



The *GIA 522* gas inclusion analysis system was developed to analyse small to extremely small gas inclusion in technical glasses, ceramics, minerals or small hermetically sealed electronic components.

GIA 522

Technical data

Mass range

1-512 amu

Detector

90° off axis SEM

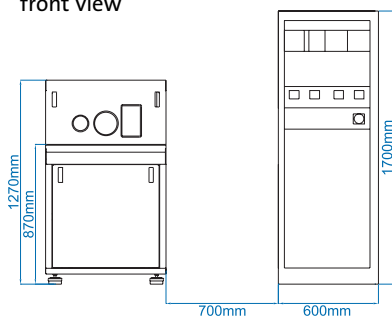
High sensitivity ion source

Weight

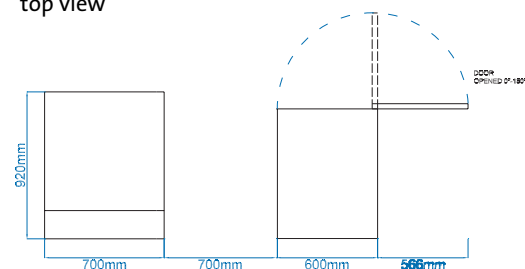
approx. 300 kg

Dimensions (mm)

front view



top view

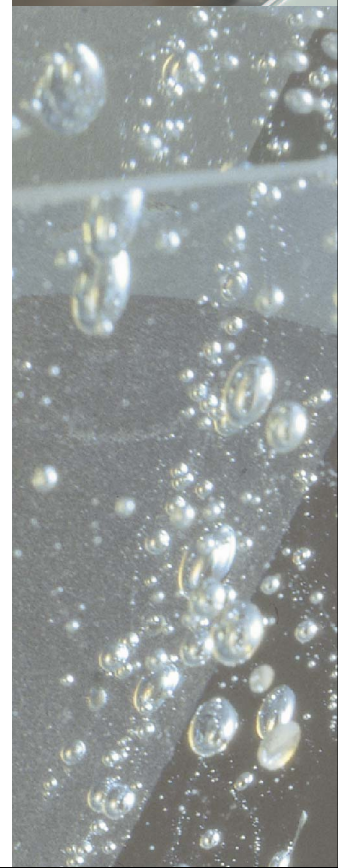
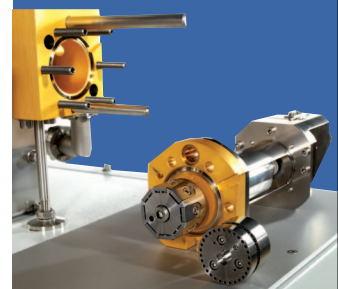
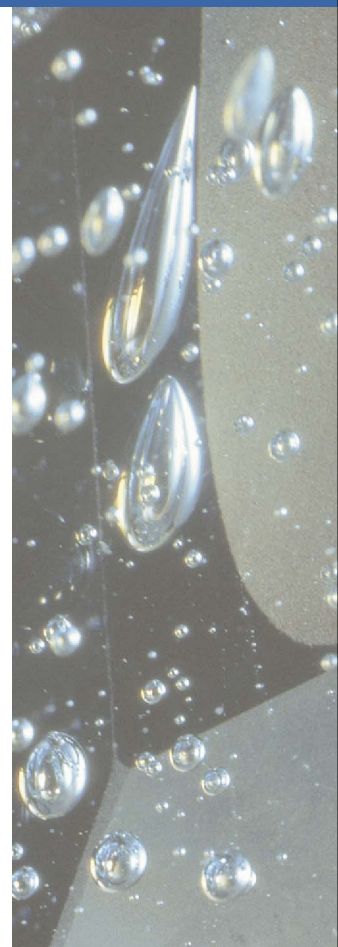


Blister analysis with unmatched performance

- Bubble size: 5.0 to 0.05 mm
- Detection limit < 1 picolitre
- High dynamic measurement range (6-7 decades)
- Fully automated data analysis
- Internal database for more than 10.000 analyses

Automatic breaking device (optional accessory)

- different sample holders for 8 to 30 samples



IPI InProcess
Instruments

InProcess Instruments
Gesellschaft für
Prozessanalytik mbH

Otto-Lilienthal-Str. 16
28199 Bremen
Germany
Tel. +49 (0) 421 5259 3-0
Fax. +49 (0) 421 5259 3-10
mail@in-process.com
www.in-process.com